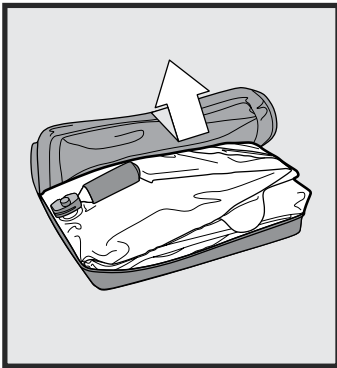
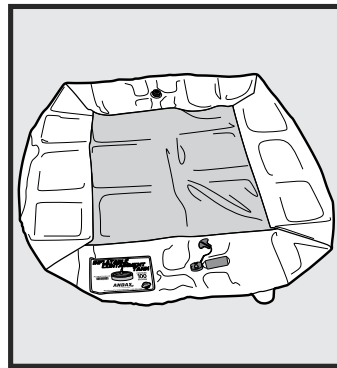


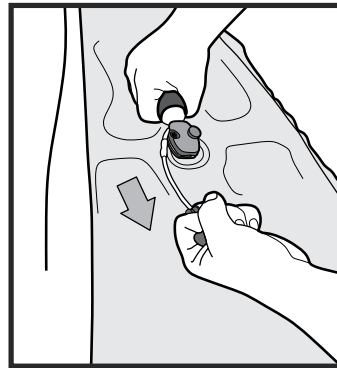
How to Deploy



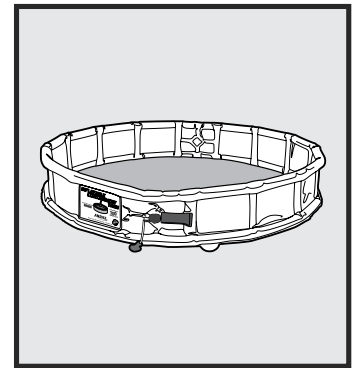
Unzip the compact carrying case and remove the pool.



Place the pool on level ground with the CO2 cartridge facing up. Spread and unfold the pool.

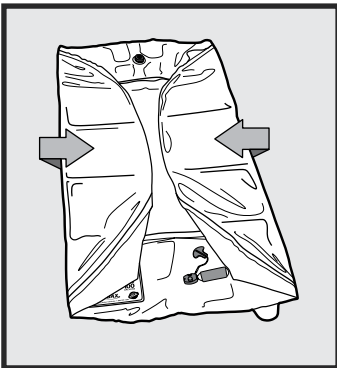


Grip the CO2 cylinder with the insulator sleeve and pull the red handled ripcord on the Inflation valve to activate the CO2 cartridge.

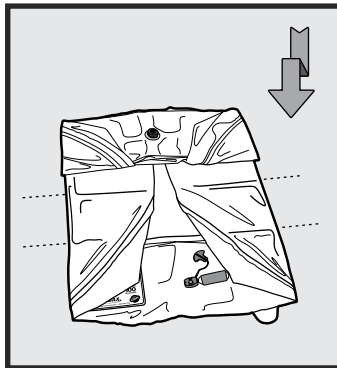


Once the CO2 cartridge is activated, the pool will inflate in seconds. Adjust the pool to capture the leak as necessary.

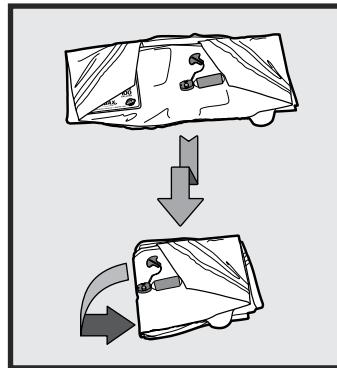
How to Fold



Open the safety release valve to deflate the pool. When the air has been removed, close the safety release valve. Fold sides without overlapping.



Begin folding the pool from top to bottom into fourths.



Continue folding with the inflation valve on top then fold in half.



Purchase a replacement cylinder and store the pool inside its soft carrying case.

WATCH THE VIDEO FOR MORE INSTRUCTION

